



PM



PM/A



PM50



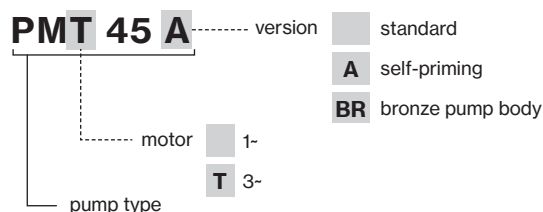
Peripheral positive displacement pumps with front suction (PM) and side suction with self-priming system (PM A) for small household systems and simple industrial applications; characterised by a considerable ratio between performance and required output.

### Construction features

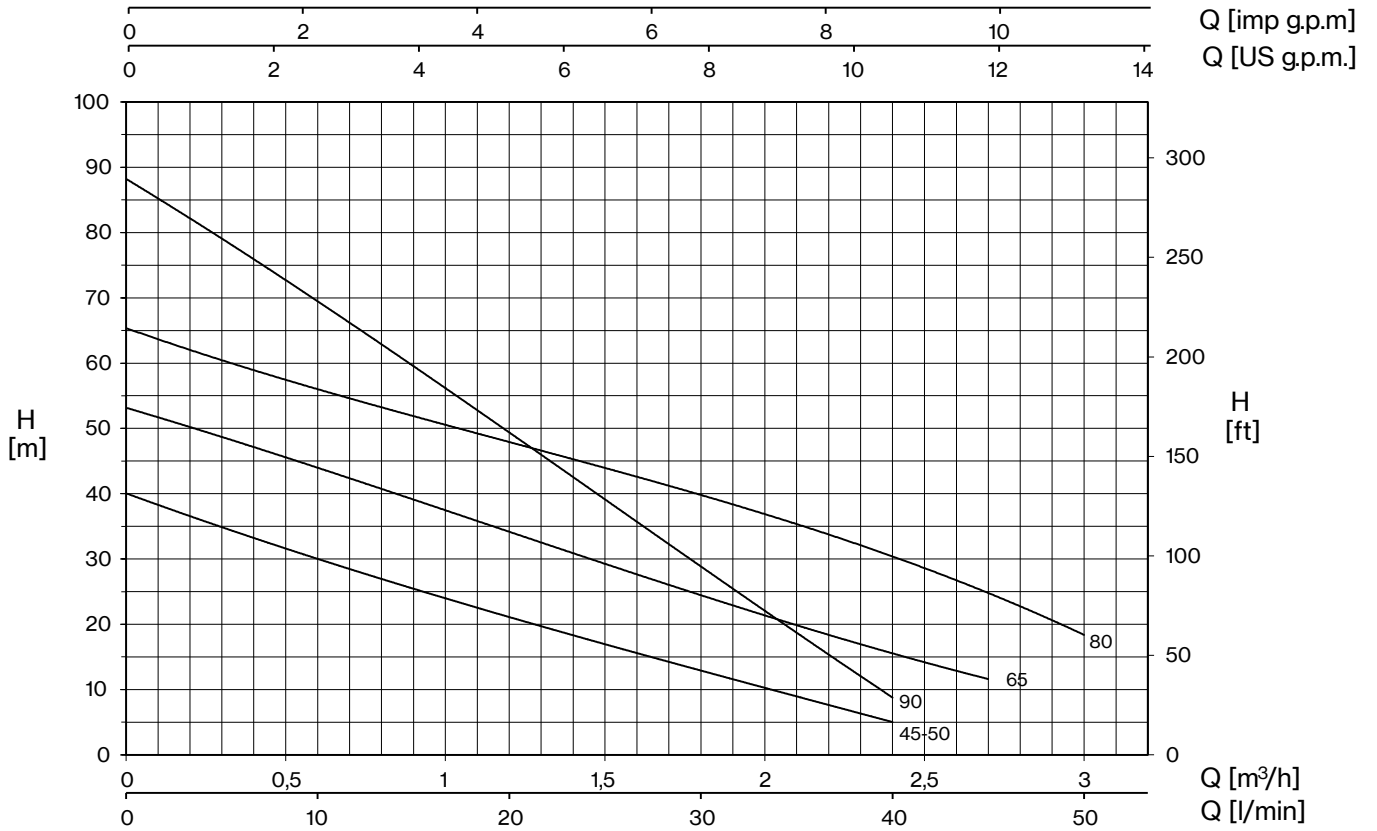
<b>Painting</b>	cataphoresis (50)
<b>Pump body</b>	cast iron bronze (45BR)
<b>Motor bracket</b>	cast iron bronze (45BR) aluminum with AISI304 insert (50)
<b>Impeller</b>	brass
<b>Mechanical seal</b>	ceramic-graphite-NBR
<b>Motor shaft</b>	stainless steel AISI 416
<b>Liquid temperature</b>	0 - 90 °C
<b>Operating pressure</b>	max 6 bar (45, 50) max 8 bar (65, 80) max 9 bar (90)

### Motor

	3- 230/400V - 50Hz
<b>2 poles induction motor</b>	1- 230V - 50Hz (with thermal protection)
<b>Insulation class</b>	F
<b>Protection degree</b>	IPX4

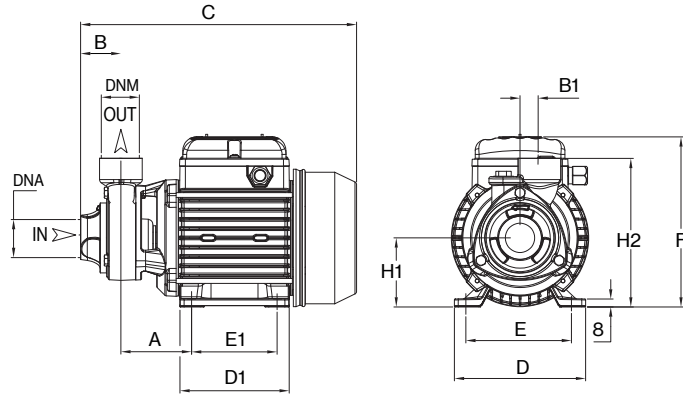


TYPE	LOTS			
	TRUCK		CONTAINER	
	PALLET (cm)	N° pumps	PALLET (cm)	N° pumps
<b>PM(T) 45÷50</b>	85×110×170	198	85×110×190	220
	80×120×170	207	80×120×190	230
<b>PM(T) 45A</b>	80×110×170	105	85×110×190	135
<b>PM(T) 65A</b>			85×120×170	136
<b>PM(T) 80-90</b>				
<b>PM(T) 65</b>	80×120×140	152	80×120×175	171
	85×100×140	160	85×100×175	180
<b>PM(T) 80A</b>	80×120×145	102	80×120×190	136

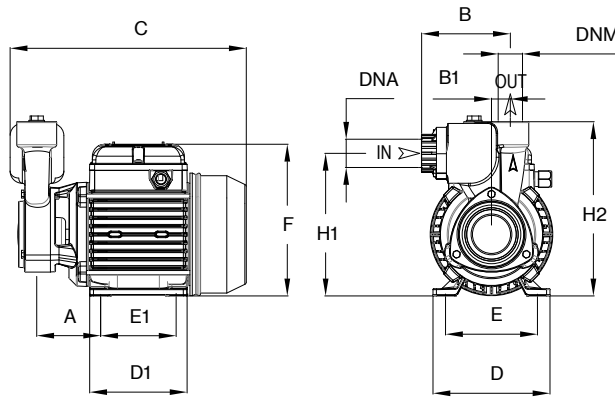


TYPE - 50 Hz		P2		P1		CURRENT		Q (m³/h - l/min)							
1~	3~			1~	3~	1~ 230V	3~ 400V	0	0,3	0,6	1,2	1,8	2,4	2,7	3
		HP	kW	kW		A		0	5	10	H (m)				
								0	5	10	20	30	40	45	50
PM 45	PMT 45	0,5	0,37	0,5	0,5	2,3	1,0	40,0	35,0	30,0	21,0	13,0	5,0		
PM 45BR	PMT 45BR	0,5	0,37	0,5	0,5	2,3	1,0	40,0	35,0	30,0	21,0	13,0	5,0		
PM 45A	PMT 45A	0,5	0,37	0,5	0,5	2,3	1,0	40,0	35,0	30,0	21,0	13,0	5,0		
PM 50	-	0,5	0,37	0,5	-	2,3	-	40,0	35,0	30,0	21,0	13,0	5,0		
PM 65	PMT 65	0,7	0,5	0,9	0,9	4,0	1,7	53,1	48,8	44,1	33,8	24,7	15,5	11,6	
PM 65A	PMT 65A	0,7	0,5	0,9	0,9	4,0	1,7	53,1	48,8	44,1	33,8	24,7	15,5	11,6	
PM 80	PMT 80	1	0,74	1,1	1,1	5,2	2,0	65,0	61,0	56,0	48,0	39,0	31,0	25,1	18,0
PM 80A	PMT 80A	1	0,74	1,1	1,1	5,2	2,0	65,0	61,0	56,0	48,0	39,0	31,0	25,1	18,0
PM 90	PMT 90	1	0,74	1,2	1,1	5,6	2,0	88,2	79,2	69,3	49,5	28,8	8,8		

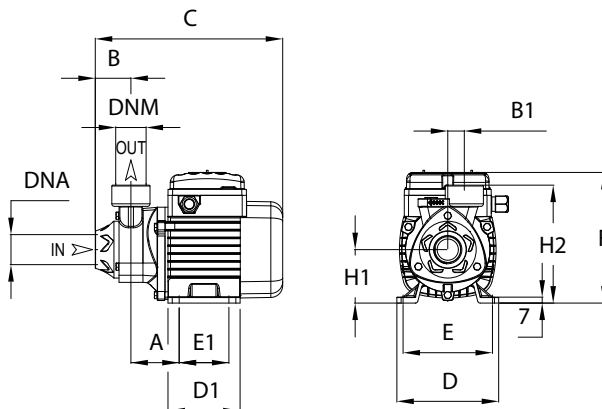
# PM



TYPE		DIMENSIONS (mm)															Kg	
1~	3~	A	B	B1	C	D	D1	E	E1	F	H1	H2	DNA	DNM	I	L		M
PM 45	PMT 45	63	50	20	260	120	101	100	80	158	63	143	1" G	1" G	265	150	175	6,5
PM 45BR	PMT 45BR	63	50	20	260	120	101	100	80	158	63	143			265	150	175	7
PM 65	PMT 65	71,5	42	20	256	120	101	100	80	158	63	145			285	150	180	8,5
PM 80	PMT 80	72,5	41	20	280	135	112	112	89	172	71	152			300	170	195	10,5
PM 90	PMT 90	74,5	50	20	286	135	112	112	89	172	71	158	310	185	195	11		



TYPE		DIMENSIONS (mm)															Kg	
1~	3~	A	B	B1	C	D	D1	E	E1	F	H1	H2	DNA	DNM	I	L		M
PM 45A	PMT 45A	63	89	20	240	120	101	100	80	158	150	184	1" G	1" G	300	170	195	7,5
PM 65A	PMT 65A	71,5	101	20	248	120	101	100	80	158	157	193			300	170	195	9
PM 80A	PMT 80A	71,5	101	20	271	135	112	112	89	172	165	201			290	170	230	11



TYPE	DIMENSIONS (mm)																	Kg
1~	A	B	B1	C	D	D1	E	E1	F	H1	H2	DNA	DNM	I	L	M		
PM 50	52	42	20	221	120	85	98	67	154	63	139	1" G	1" G	245	150	175	5,5	

